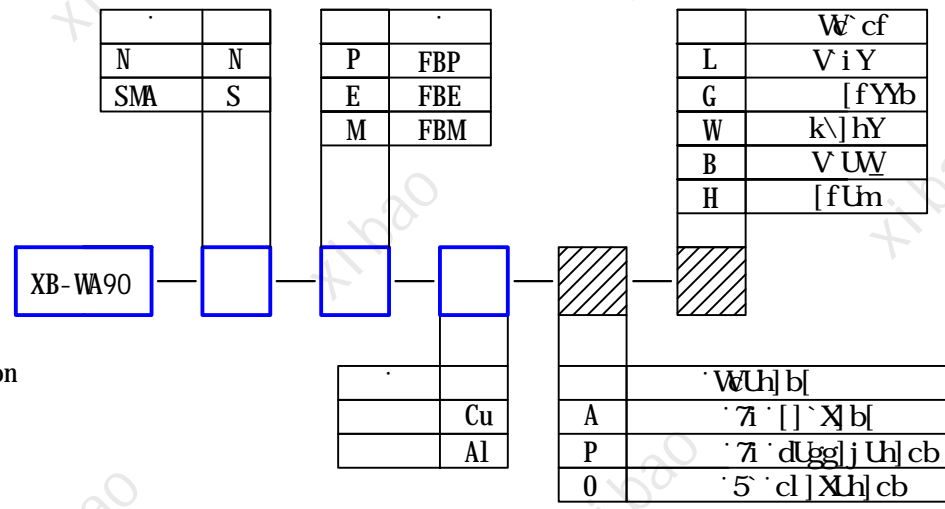


### Specification

ft fYeL ..... 8.20-12.5GHz  
 ft `Ub| YL FBP/FBE/FBM  
 fUJKFL ..... 1.20  
 ft=@L ..... 0.3dB  
 ff7cbbYwcfL B#CA5  
 f1ALhyf] U L # `7i #5`  
 ff7KL ..... SK  
 ff7cUh] b[ L

Cu gilding  
 Cu passivation  
 Al oxidation

### Model selected



### Instruction

Blue boxes are must required fields.  
 Shadow boxes aren't option, randomly selected according to inventory.

Beijing Xibao Electronic Technology Co.,Ltd
WB90#G>%SL
Waveguide to Coaxial Adapter(WB90/BJ100)
www.beijingxibao.com
010-62312909 62327421